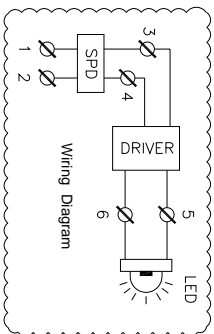


Light Fitting Standard Specification :

- a) WATTAGE : 50 WATTS
- b) VOLTAGE : 140V-270V AC
- c) POWER FACTOR : >0.95
- d) INPUT FREQUENCY : 50 Hz
- e) EFFICACY : ≥100 LUMEN PER WATT
- f) COLOUR (CCT) : 3000K/5700K/6500K/OR AS SPECIFIED
- g) CRI : ≥80 RA
- h) TOTAL HARMONIC DISTORTION : ≤ 10% THD
- i) BEAM ANGLE : 120 DEGREE
- j) SURFACE TEMPERATURE : MAX. 70°
- k) SURGE PROTECTION : 10 KV SPD

Light Fitting Options :

- 1) MATERIAL CONSTRUCTION : STAINLESS STEEL
- 2) VOLTAGE : 220V DC/110V AC/110V DC/24V AC
- 3) GLASS TYPE : DOME / FLAT / LENS
- 4) BEAM ANGLE : LENS AVAILABLE 60/90/120 DEGREE
- 5) LED MAKE : CITIZEN/OSRAM/BRIDGELUX/EQUIVALENT
- 6) DRIVER MAKE : OSRAM/PHILIPS/FULHAM/EQUIVALENT
- 7) CABLE GLAND & PLUG : BRASS/S.S./ALUMINIUM
- 8) WIRE GUARD : M.S. WHITE EPOXY POWDER COATED / S.S.



Reference IS/IEC Standard as follows :

- 1 - FLAMEPROOF (Ex d) PROTECTION - IIA/IB & IIC, IS/IEC 60079-1 (2014)
- TEMPERATURE CLASS - T6
- 2 - INGRESS (IP) PROTECTION - IP-66, IS/IEC 60529 (2001). (Reaffirmed 2014)

Standard Specification :

- 1 - MATERIAL - CAST ALUMINIUM ALLOY
- 2 - FINISH - INSIDE & OUTSIDE LIGHT GREY EPOXY POWDER COATING SHADE No. 631 AS PER IS-5
- 3 - EARTHING - 1 No. INSIDE & 2 Nos. OUTSIDE M6 SIZE S.S./BRASS SCREWS WITH 2 Nos. PLAIN WASHER
- 4 - HARDWARE - STAINLESS STEEL
- 5 - GASKET - 'O' RING ENDLESS NEOPRENE RUBBER GASKET
- 6 - MOUNTING ARRGT. - AS SHOWN IN DRG.

Material / Components Specification :

- 1 - S.S. NAME CUM WARNING PLATE (WITH DESCRIPTION TITLE, CIMFR, PESO, SR. NO., GAS GROUP, RATING, BIS MARKING, WARNING STATUS, etc...)
- 2 - GLASS - HEAT RESISTANCE CLEAR TOUCHENED GLASS 'TYPE-A' OF 'SUDHIR' BRAND
- 3 - CABLE ENTRIES - 2 Nos. M20 / 1/2" NPT / 3/4" ET SIZE CABLE ENTRIES FROM SIDE (REFER DRAWING)
- 4 - TERMINALS - 6 Nos. 2.5sq. mm (MICRO) CLIP-ON TYPE TERMINALS OF 'ELMEY/CONNECTWELL' MAKE

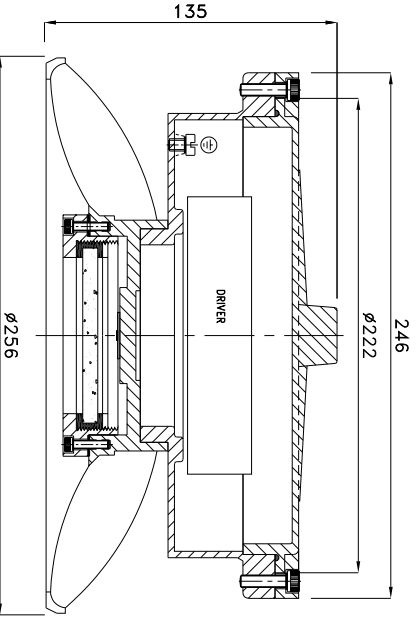
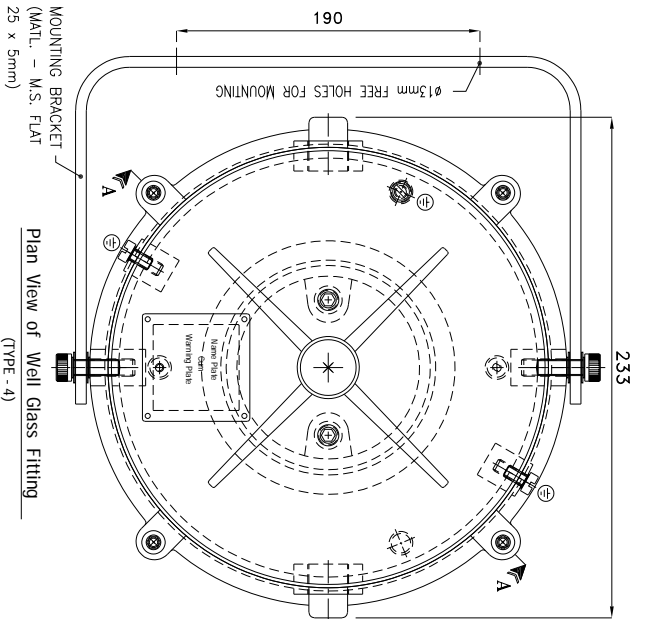
NOTE :

COMPONENT LAYOUT IS TENTATIVE RELOCATION OF PARTS & COMPONENTS IS POSSIBLE AT THE TIME OF ACTUAL MANUFACTURING.

OVERALL DIMENSIONS ARE ±10mm

REV.	DATE	DESCRIPTION	DRN.	CHD.	APPD.	SCALE
Δ						
Δ						
Δ						

CAT. No.	WG/1240
MODEL No.:	WG/1240/F/50
DRN.	profili
CHKD.	JASJAY
APPD.	
SHEET	1 OF 1
N. T. S.	REV.-0
<p>SUDHIR SWITCHGEARS PVT. LTD. 130, MULBEA SAMAGHAR MARG, MULBEA - 400 023</p> <p>TITLE : FIP-WIP ENCLOSURE FOR WELL GLASS FITTING FITTING SUITABLE FOR 50 WATTS LED LIGHT FITTING</p> <p>CHKD. CERT. No. IN/CIMFR/TR21/P/H176 Dt. 11/08/2021</p> <p>PESO No. : P546023/1 Dt. 26/09/2022</p> <p>BIS LICENCE No. : CM/L-0002914461</p>	

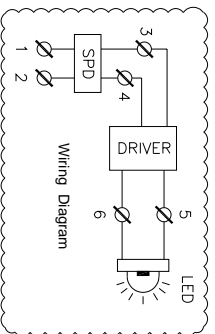


Light Fitting Standard Specification :

- a) WATTAGE : 60 WATTS
- b) VOLTAGE : 140V-270V AC
- c) POWER FACTOR : >0.95
- d) INPUT FREQUENCY : 50 Hz
- e) EFFICACY : ≥100 LUMEN PER WATT
- f) COLOUR (CCT) : 3000K/5700K/6500K/OR AS SPECIFIED
- g) CRI : ≥80 RA
- h) TOTAL HARMONIC DISTORTION : ≤ 10% THD
- i) BEAM ANGLE : 120 DEGREE
- j) SURFACE TEMPERATURE : MAX. 70°
- k) SURGE PROTECTION : 10 KV SPD

Light Fitting Options :

- 1) MATERIAL CONSTRUCTION : STAINLESS STEEL
- 2) VOLTAGE : 220V DC/110V AC/110V DC/24V AC
- 3) GLASS TYPE : DOME / FLAT / LENS
- 4) BEAM ANGLE : LENS AVAILABLE 60/90/120 DEGREE
- 5) LED MAKE : CITIZEN/OSRAM/BRIDGELUX/EQUIVALENT
- 6) DRIVER MAKE : OSRAM/PHILIPS/FULHAM/EQUIVALENT
- 7) CABLE GLAND & PLUG : BRASS/S.S./ALUMINIUM
- 8) WIRE GUARD : M.S. WHITE EPOXY POWDER COATED / S.S.



Reference IS/IEC Standard as follows :

- 1 - FLAMEPROOF (Ex d) PROTECTION - IIA/IB & IIC, IS/IEC 60079-1 (2014)
- TEMPERATURE CLASS - T6
- 2 - INGRESS (IP) PROTECTION - IP-66, IS/IEC 60529 (2001). (Reaffirmed 2014)

Standard Specification :

- 1 - MATERIAL - CAST ALUMINIUM ALLOY
- 2 - FINISH - INSIDE & OUTSIDE LIGHT GREY EPOXY POWDER COATING SHADE No. 631 AS PER IS-5
- 3 - EARTHING - 1 No. INSIDE & 2 Nos. OUTSIDE M6 SIZE S.S./BRASS SCREWS WITH 2 Nos. PLAIN WASHER
- 4 - HARDWARE - STAINLESS STEEL
- 5 - GASKET - 'O' RING ENDLESS NEOPRENE RUBBER GASKET
- 6 - MOUNTING ARRGT. - AS SHOWN IN DRG.

Material / Components Specification :

- 1 - S.S. NAME CUM WARNING PLATE (WITH DESCRIPTION TITLE, CIMFR, PESO, SR. NO., GAS GROUP, RATING, BIS MARKING, WARNING STATUS, etc...)
- 2 - GLASS - HEAT RESISTANCE CLEAR TOUCHENED GLASS 'TYPE-A' OF 'SUDHIR' BRAND
- 3 - CABLE ENTRIES - 2 Nos. M20 / 1/2" NPT / 3/4" ET SIZE CABLE ENTRIES FROM SIDE (REFER DRAWING)
- 4 - TERMINALS - 6 Nos. 2.5sq. mm (MICRO) CLIP-ON TYPE TERMINALS OF 'ELMEY/CONNECTWELL' MAKE

NOTE :

COMPONENT LAYOUT IS TENTATIVE RELOCATION OF PARTS & COMPONENTS IS POSSIBLE AT THE TIME OF ACTUAL MANUFACTURING.
OVERALL DIMENSIONS ARE ±10mm

REV.	DATE	DESCRIPTION	DRN.	CHD.	APPD.	SCALE
Δ						
Δ						
Δ						

CAT. No.

WG/1240

MODEL No.:

WG/1240/F/60

DRN. profile

JMSHW

CHKD.

APPD.

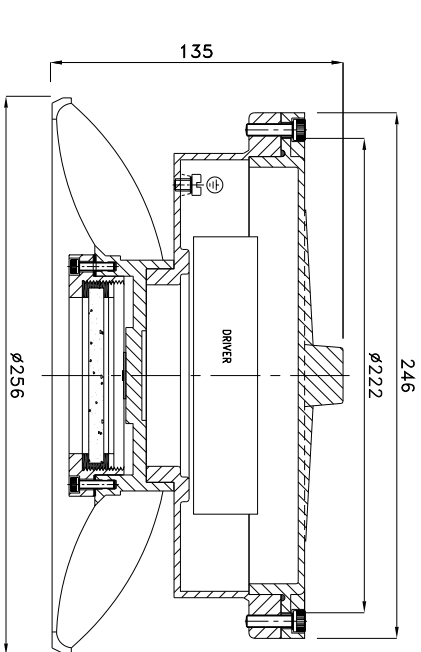
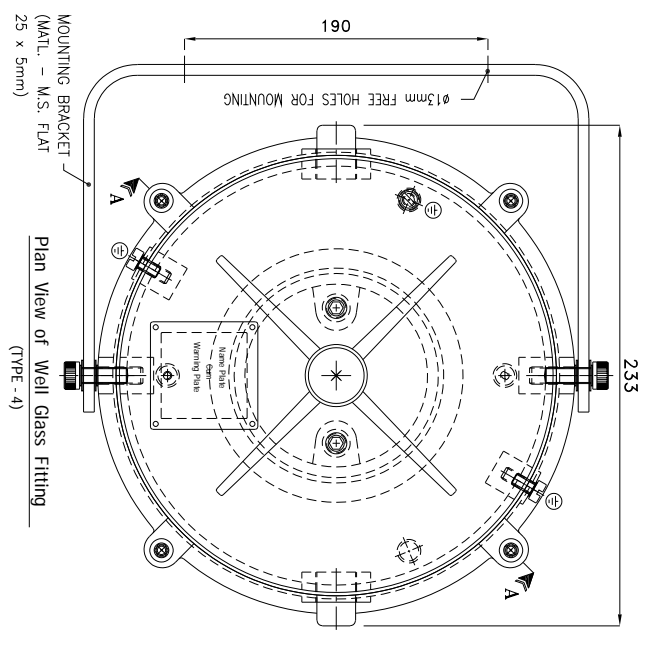
SHEET 1 OF 1

N. T. S. REV.-0

SUDHIR SWITCHGEARS PVT. LTD.
130, MULHER SAMAGHAR MARG, MULHER - 400 023

TITLE : **FLP-WIP ENCLOSURE FOR WELL GLASS FITTING**
FITTING SUITABLE FOR 60 WATTS LED LIGHT FITTING

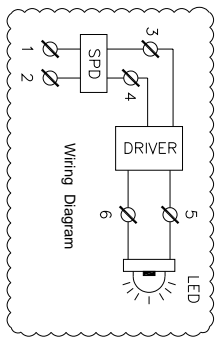
CHKD. CERT. No.	PESO No. :	BIS LICENCE No. :
IN/CIMFR/TR21/P/H176	P546023/1	CM/L-0002914461
Dt. 11/08/2021	Dt. 26/09/2022	



- Light Fitting Standard Specification :**
- a) WATTAGE : 70 WATTS
 - b) VOLTAGE : 140V-270V AC
 - c) POWER FACTOR : >0.95
 - d) INPUT FREQUENCY : 50 Hz
 - e) EFFICACY : ≥100 LUMEN PER WATT
 - f) COLOUR (CCT) : 3000K/5700K/6500K/OR AS SPECIFIED
 - g) CRI : ≥80 RA
 - h) TOTAL HARMONIC DISTORTION : ≤ 10% THD
 - i) BEAM ANGLE : 120 DEGREE
 - j) SURFACE TEMPERATURE : MAX. 70°
 - k) SURGE PROTECTION : 10 KV SPD

Light Fitting Options :

- Light Fitting Options :**
- 1) MATERIAL CONSTRUCTION : STAINLESS STEEL
 - 2) VOLTAGE : 220V DC/110V AC/110V DC/24V AC
 - 3) GLASS TYPE : DOME / FLAT / LENS
 - 4) BEAM ANGLE : LENS AVAILABLE 60/90/120 DEGREE
 - 5) LED MAKE : CITIZEN/OSRAM/BRIDGELUX/EQUIVALENT
 - 6) DRIVER MAKE : OSRAM/PHILIPS/FULHAM/EQUIVALENT
 - 7) CABLE GLAND & PLUG : BRASS/S.S./ALUMINIUM
 - 8) WIRE GUARD : M.S. WHITE EPOXY POWDER COATED / S.S.



- Reference IS/IEC Standard as follows :**
- 1 - FLAMEPROOF (Ex d) PROTECTION - IIA/IB & IIC, IS/IEC 60079-1 (2014)
 - TEMPERATURE CLASS - T6
 - 2 - INGRESS (IP) PROTECTION - IP-66, IS/IEC 60529 (2001). (Reaffirmed 2014)
- Standard Specification :**
- 1 - MATERIAL - CAST ALUMINIUM ALLOY
 - 2 - FINISH - INSIDE & OUTSIDE LIGHT GREY EPOXY POWDER COATING SHADE No. 631 AS PER IS-5
 - 3 - EARTHING - 1 No. INSIDE & 2 Nos. OUTSIDE M6 SIZE S.S./BRASS SCREWS WITH 2 Nos. PLAIN WASHER
 - 4 - HARDWARE - STAINLESS STEEL
 - 5 - GASKET - 'O' RING ENDLESS NEOPRENE RUBBER GASKET
 - 6 - MOUNTING ARRGT. - AS SHOWN IN DRG.

Material / Components Specification :

- 1 - S.S. NAME CUM WARNING PLATE (WITH DESCRIPTION TITLE, CIMFR, PESO, SR. NO., GAS GROUP, RATING, BIS MARKING, WARNING STATUS, etc...)
- 2 - GLASS - HEAT RESISTANCE CLEAR TOUCHENED GLASS 'TYPE-A' OF 'SUDHIR' BRAND
- 3 - CABLE ENTRIES - 2 Nos. M20 / 1/2" NPT / 3/4" ET SIZE CABLE ENTRIES FROM SIDE (REFER DRAWING)
- 4 - TERMINALS - 6 Nos. 2.5sq. mm (MICRO) CLIP-ON TYPE TERMINALS OF 'ELMEY/CONNECTWELL' MAKE

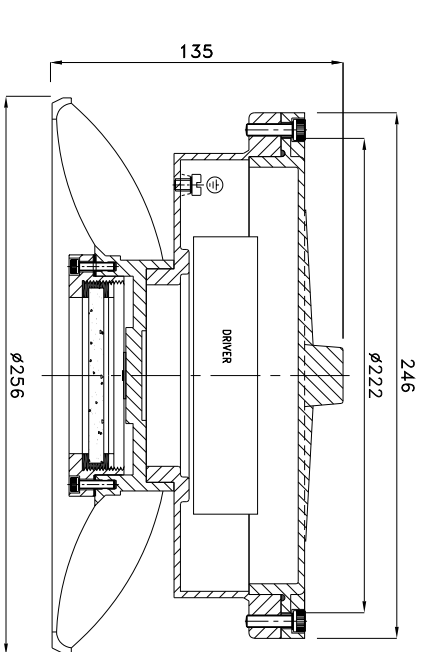
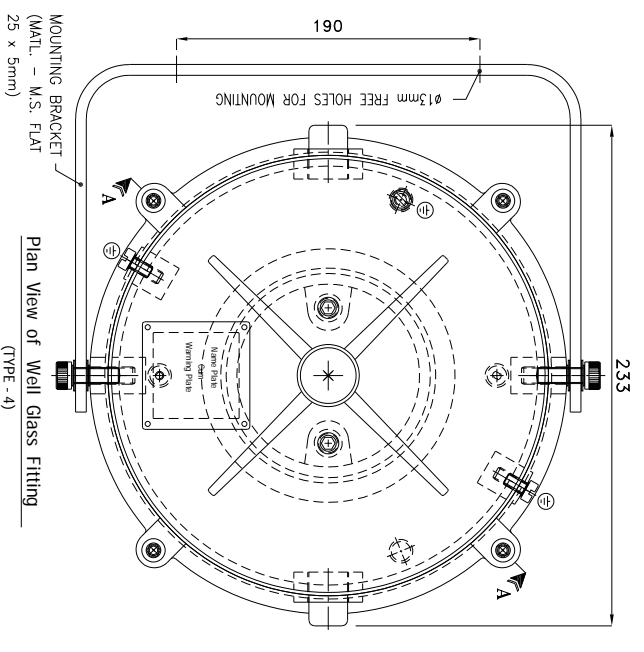
NOTE :

- COMPONENT LAYOUT IS TENTATIVE RELOCATION OF PARTS & COMPONENTS IS POSSIBLE AT THE TIME OF ACTUAL MANUFACTURING.
- OVERALL DIMENSIONS ARE ±10mm

REV.	DATE	DESCRIPTION	DRN.	CHD.	APPD.	SCALE
Δ						
Δ						
Δ						

CAT. No.	WG/1240
MODEL No.:	WG/1240/F/70
DRN.	profili
CHKD.	JASNAK
APPD.	
SHEET	1 OF 1
N. T. S.	REV.-0

CAT. No.	WG/1240
MODEL No.:	WG/1240/F/70
DRN.	profili
CHKD.	JASNAK
APPD.	
SHEET	1 OF 1
N. T. S.	REV.-0

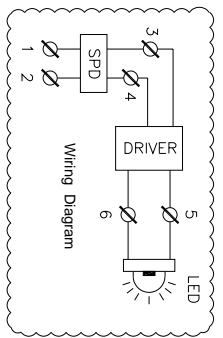


Light Fitting Standard Specification :

- a) WATTAGE : 75 WATTS
- b) VOLTAGE : 140V-270V AC
- c) POWER FACTOR : >0.95
- d) INPUT FREQUENCY : 50 Hz
- e) EFFICACY : ≥100 LUMEN PER WATT
- f) COLOUR (CCT) : 3000K/5700K/6500K/OR AS SPECIFIED
- g) CRI : ≥80 RA
- h) TOTAL HARMONIC DISTORTION : ≤ 10% THD
- i) BEAM ANGLE : 120 DEGREE
- j) SURFACE TEMPERATURE : MAX. 70°
- k) SURGE PROTECTION : 10 KV SPD

Light Fitting Options :

- 1) MATERIAL CONSTRUCTION : STAINLESS STEEL
- 2) VOLTAGE : 220V DC/110V AC/110V DC/24V AC
- 3) GLASS TYPE : DOME / FLAT / LENS
- 4) BEAM ANGLE : LENS AVAILABLE 60/90/120 DEGREE
- 5) LED MAKE : CITIZEN/OSRAM/BRIDGELUX/EQUIVALENT
- 6) DRIVER MAKE : OSRAM/PHILIPS/FULHAM/EQUIVALENT
- 7) CABLE GLAND & PLUG : BRASS/S.S./ALUMINIUM
- 8) WIRE GUARD : M.S. WHITE EPOXY POWDER COATED / S.S.



Reference IS/IEC Standard as follows :

- 1 - FLAMEPROOF (Ex d) PROTECTION - IIA/IB & IIC, IS/IEC 60079-1 (2014)
- TEMPERATURE CLASS - T6
- 2 - INGRESS (IP) PROTECTION - IP-66, IS/IEC 60529 (2001). (Reaffirmed 2014)

Standard Specification :

- 1 - MATERIAL - CAST ALUMINIUM ALLOY
- 2 - FINISH - INSIDE & OUTSIDE LIGHT GREY EPOXY POWDER COATING SHADE No. 631 AS PER IS-5
- 3 - EARTHING - 1 No. INSIDE & 2 Nos. OUTSIDE M6 SIZE S.S./BRASS SCREWS WITH 2 Nos. PLAIN WASHER
- 4 - HARDWARE - STAINLESS STEEL
- 5 - GASKET - 'O' RING ENDLESS NEOPRENE RUBBER GASKET
- 6 - MOUNTING ARRGT. - AS SHOWN IN DRG.

Material / Components Specification :

- 1 - S.S. NAME CUM WARNING PLATE (WITH DESCRIPTION TITLE, CIMFR, PESO, SR. NO., GAS GROUP, RATING, BIS MARKING, WARNING STATUS, etc...)
- 2 - GLASS - HEAT RESISTANCE CLEAR TOUCHENED GLASS 'TYPE-A' OF 'SUDHIR' BRAND
- 3 - CABLE ENTRIES - 2 Nos. M20 / 1/2" NPT / 3/4" ET SIZE CABLE ENTRIES FROM SIDE (REFER DRAWING)
- 4 - TERMINALS - 6 Nos. 2.5sq. mm (MICRO) CLIP-ON TYPE TERMINALS OF 'ELMEY/CONNECTWELL' MAKE

NOTE :

COMPONENT LAYOUT IS TENTATIVE RELOCATION OF PARTS & COMPONENTS IS POSSIBLE AT THE TIME OF ACTUAL MANUFACTURING.
OVERALL DIMENSIONS ARE ±10mm

REV.	DATE	DESCRIPTION	DRN.	CHD.	APPD.	SCALE
Δ						
Δ						
Δ						

CAT. No.

WG/1240

MODEL No.:

WG/1240/F/75

DRN. profile

CHKD. JASNAK

APPD.

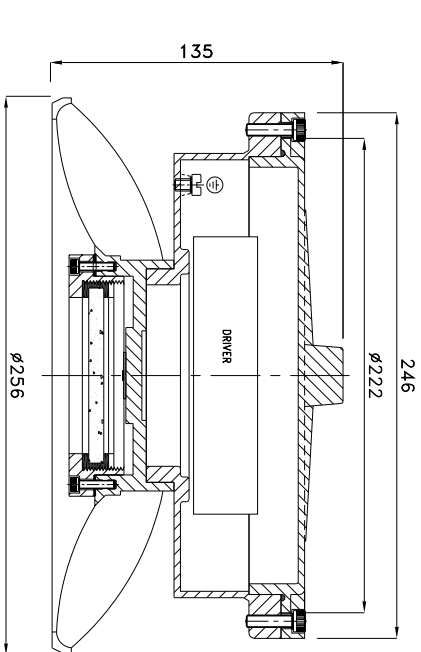
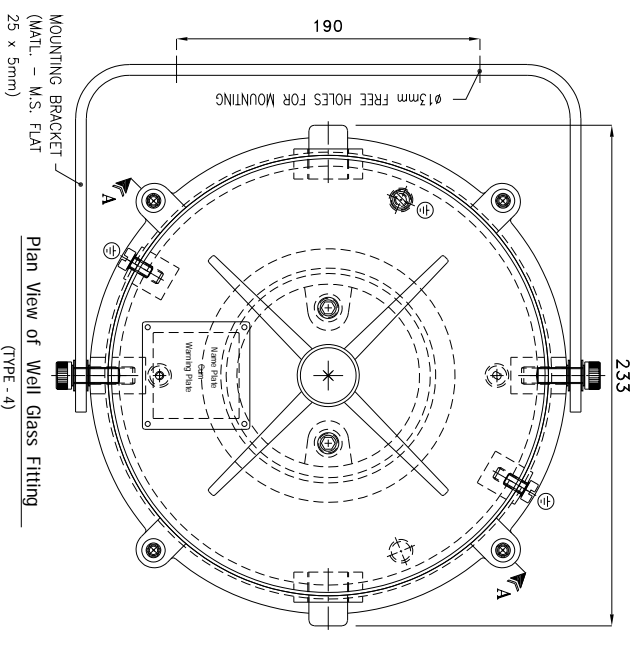
SHEET 1 OF 1

N. T. S. REV.-0

SUDHIR SWITCHGEARS PVT. LTD.
130, MULBARI SAMACHAR MARG, MULBARI - 400 023

TITLE : **FLP-WIP ENCLOSURE FOR WELL GLASS FITTING**
FITTING SUITABLE FOR 75 WATTS LED LIGHT FITTING

CHKD. CERT. No.	PESD No. :	BIS LICENCE No. :
IN/CIMFR/TR21/P/H176	P546023/1	CM/L-0002914461
Dt. 11/08/2021	Dt. 26/09/2022	

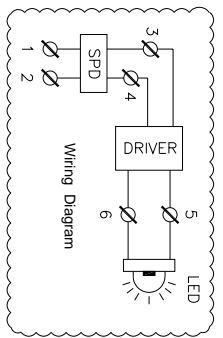


Light Fitting Standard Specification :

- a) WATTAGE : 80 WATTS
- b) VOLTAGE : 140V-270V AC
- c) POWER FACTOR : >0.95
- d) INPUT FREQUENCY : 50 Hz
- e) EFFICACY : ≥100 LUMEN PER WATT
- f) COLOUR (CCT) : 3000K/5700K/6500K/ OR AS SPECIFIED
- g) CRI : ≥80 RA
- h) TOTAL HARMONIC DISTORTION : ≤ 10% THD
- i) BEAM ANGLE : 120 DEGREE
- j) SURFACE TEMPERATURE : MAX. 70°
- k) SURGE PROTECTION : 10 KV SPD

Light Fitting Options :

- 1) MATERIAL CONSTRUCTION : STAINLESS STEEL
- 2) VOLTAGE : 220V DC/110V AC/110V DC/24V AC
- 3) GLASS TYPE : DOME / FLAT / LENS
- 4) BEAM ANGLE : LENS AVAILABLE 60/90/120 DEGREE
- 5) LED MAKE : CITIZEN/OSRAM/BRIDGELUX/EQUIVALENT
- 6) DRIVER MAKE : OSRAM/PHILIPS/FULHAM/EQUIVALENT
- 7) CABLE GLAND & PLUG : BRASS/S.S./ALUMINIUM
- 8) WIRE GUARD : M.S. WHITE EPOXY POWDER COATED / S.S.



Reference IS/IEC Standard as follows :

- 1 - FLAMEPROOF (Ex d) PROTECTION - IIA/IB & IIC, IS/IEC 60079-1 (2014)
- TEMPERATURE CLASS - T6
- 2 - INGRESS (IP) PROTECTION - IP-66, IS/IEC 60529 (2001). (Reaffirmed 2014)

Standard Specification :

- 1 - MATERIAL - CAST ALUMINIUM ALLOY
- 2 - FINISH - INSIDE & OUTSIDE LIGHT GREY EPOXY POWDER COATING SHADE No. 631 AS PER IS-5
- 3 - EARTHING - 1 No. INSIDE & 2 Nos. OUTSIDE M6 SIZE S.S./BRASS SCREWS WITH 2 Nos. PLAIN WASHER
- 4 - HARDWARE - STAINLESS STEEL
- 5 - GASKET - 'O' RING ENDLESS NEOPRENE RUBBER GASKET
- 6 - MOUNTING ARRGT. - AS SHOWN IN DRG.

Material / Components Specification :

- 1 - S.S. NAME CUM WARNING PLATE (WITH DESCRIPTION TITLE, CIMFR, PESO, SR. NO., GAS GROUP, RATING, BIS MARKING, WARNING STATUS, etc...)
- 2 - GLASS - HEAT RESISTANCE CLEAR TOUCHENED GLASS 'TYPE-A' OF 'SUDHIR' BRAND
- 3 - CABLE ENTRIES - 2 Nos. M20 / 1/2" NPT / 3/4" ET SIZE CABLE ENTRIES FROM SIDE (REFER DRAWING)
- 4 - TERMINALS - 6 Nos. 2.5sq. mm (MICRO) CLIP-ON TYPE TERMINALS OF 'ELMEY/CONNECTWELL' MAKE

NOTE :

COMPONENT LAYOUT IS TENTATIVE RELOCATION OF PARTS & COMPONENTS IS POSSIBLE AT THE TIME OF ACTUAL MANUFACTURING.
OVERALL DIMENSIONS ARE ±10mm

REV.	DATE	DESCRIPTION	DRN.	CHD.	APPD.	SCALE	CAT. No.	MODEL No.	DRN.	CHD.	APPD.	CAT. No.	MODEL No.	DRN.	CHD.	APPD.	SCALE
Δ							WG/1240	WG/1240/F/80									
Δ																	
Δ																	
Δ																	
Δ																	
Δ																	
Δ																	
Δ																	
Δ																	

THIS DRAWING IS PROPERTY OF "SUDHIR SWITCHGEARS PVT. LTD." AND MUST BE RETURNED ON REQUEST IF IT IS SUBMITTED AS CONFIDENTIAL INFORMATION IN CONNECTION WITH ENQUIRY, TENDER, ORDER, OR CONTRACTS IT IS NOT TO BE USED FOR ANY OTHER PURPOSE OR ORDER NOR MAY IT RE-COPIED OR LENT WITHOUT OUR AUTHORITY IN WRITING.